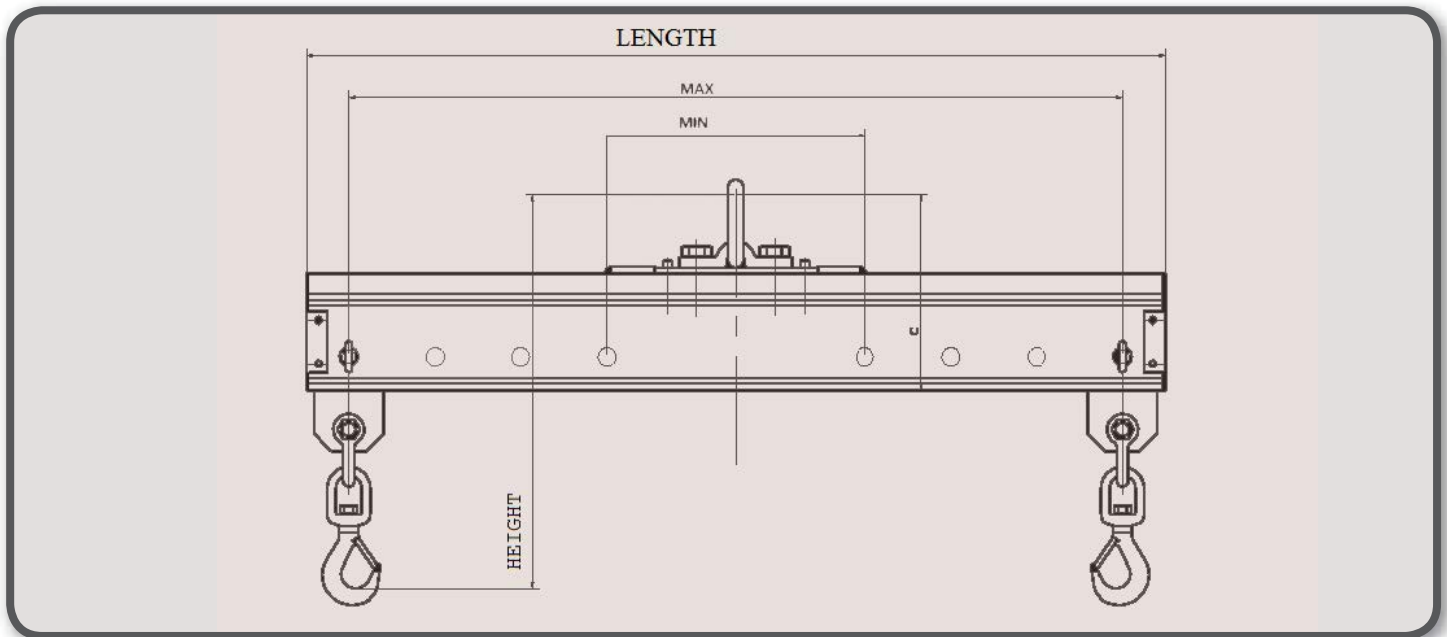


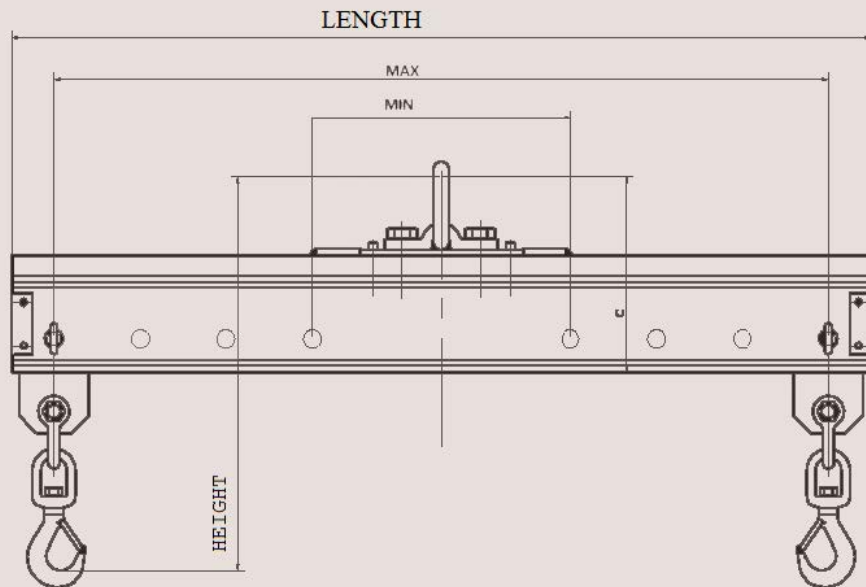
**LiftingSafety 2 Point Adjustable Length Lightweight "Aluminium"
Lifting Beams -
LiftingSafety 2 Point "Fixed Length" Lightweight "Aluminium" Lifting
Beams -**



All our Lifting beams are made to order and therefore the design and lifting capacity can be modified to suit your individual requirements. For beam customizations, please fill out an application evaluation form online.

CAPACITY	OVERALL LENGHT	INTERASSE MAX	INTERASSE MIN	OVERALL HEIGHT	C	WEIGHT
KG	(mm)	(mm)	(mm)	(mm)	(mm)	KG
125	1000	900	300	454	226	16
125	2000	1900	900	454	226	22
125	3000	2900	900	454	226	29
125	4000	3900	1900	454	226	35
125	5000	4900	2900	454	226	42
125	6000	5900	3900	454	226	48
250	1000	900	300	454	226	16
250	2000	1900	900	454	226	22
250	3000	2900	900	454	226	29
250	4000	3900	1900	454	226	35
250	5000	4900	2900	454	226	42
250	6000	5900	3900	504	276	61
500	1000	900	300	454	226	16
500	2000	1900	900	454	226	22
500	3000	2900	900	504	276	36
500	4000	3900	1900	504	276	44
500	5000	4900	2900	504	276	53
500	6000	5900	3900	535	306	74

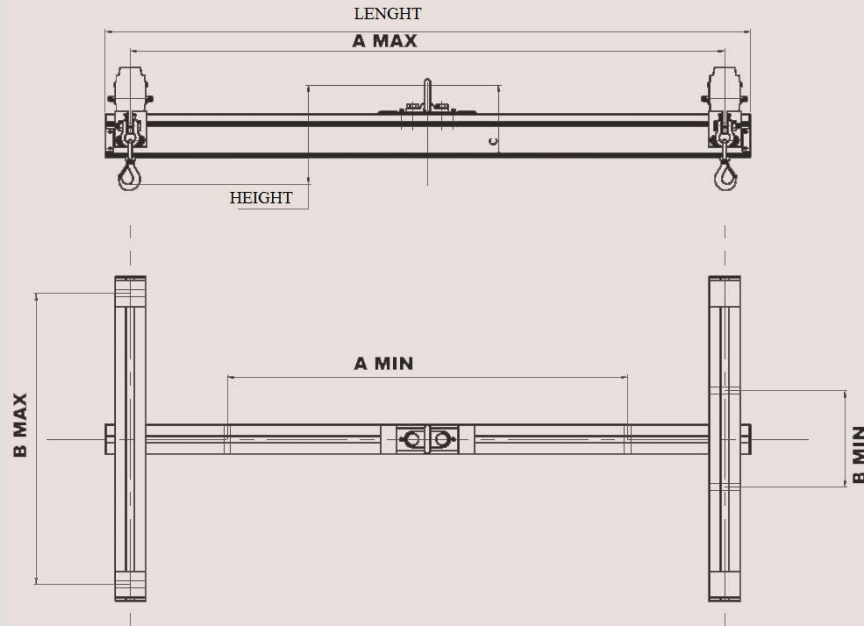
Adjustable Lightweight Aluminium 4 Point lifting Beam - Aluminum spreader beam / adjustable



Aluminium lifting beams which can load from 125 to 2 000 kg capacity. This device is suited with swivel hooks with forged safety clips to generate the tool more efficiently. It is designed with tear-resistant eyelet which is built for use with synthetic slings, cables, and others. Moreover, the device can generate with a maximum lifting speed of 16 m/mn

CAPACITY	OVERALL LENGHT	MAX	MIN	OVERALL HEIGHT	C	WEIGHT
KG	(mm)	(mm)	(mm)	(mm)	(mm)	KG
750	1000	900	300	454	226	16
750	2000	1900	900	504	276	27
750	3000	2900	900	504	276	36
750	4000	3900	1900	535	306	52
750	5000	4900	2900	569	341	83
750	6000	5900	3900	569	341	97
1000	1000	900	300	535	306	21
1000	2000	1900	900	535	306	31
1000	3000	2900	900	535	306	42
1000	4000	3900	1900	569	341	68
1000	5000	4900	2900	569	341	83
1600	1000	900	300	535	306	21
1600	2000	1900	900	535	306	31
1600	3000	2900	900	569	341	54
2000	1000	900	300	535	306	21
2000	2000	1900	900	569	341	39

H-bar aluminium adjustable spreader beams

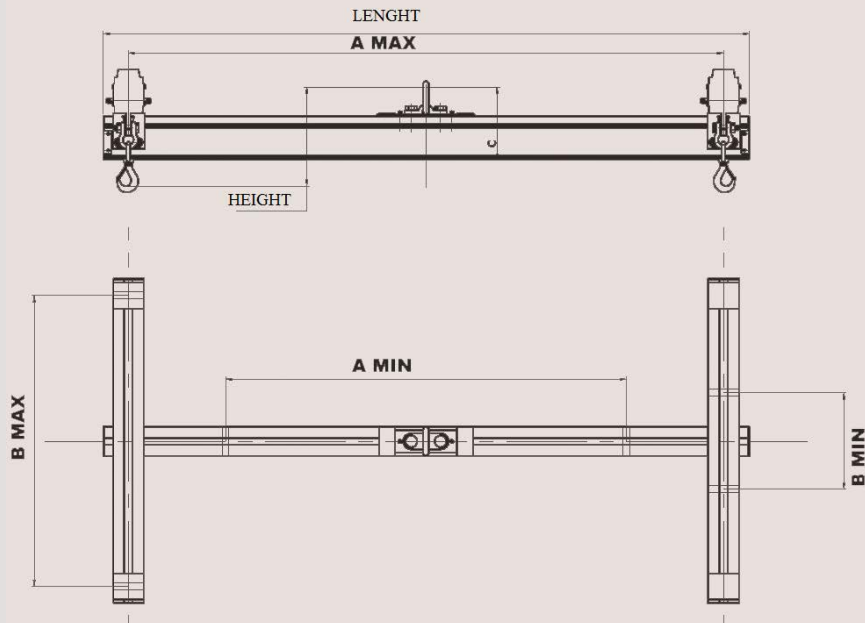


H-bar aluminium adjustable spreader beams

4 rotating and articulated hooks with forged safety latch. Eyelets antitearing for use with synthetic slings, cable

CAPACITY	OVERALL LENGHT	LENGHT	A MAX	A MIN	B MAX	B MIN	OVERALL HEIGHT	C	WEIGHT
KG	(mm)	(mm)	(mm)	(mm)	(mm)	(mm)	(mm)	(mm)	KG
125	1000	1000	840	440	900	500	310	226	51
125	2000	1000	1840	940	900	500	310	226	58
125	3000	1000	2840	1440	900	500	310	226	64
125	3000	2000	2840	1440	1900	900	310	226	77
125	4000	1000	3840	1940	900	500	310	226	71
125	4000	2000	3840	1940	1900	900	310	226	84
250	1000	1000	840	440	900	500	310	226	51
250	2000	1000	1840	940	900	500	310	226	58
250	3000	1000	2840	1440	900	500	310	226	64
250	3000	2000	2840	1440	1900	900	310	226	77
250	4000	1000	3840	1940	900	500	310	226	71
250	4000	2000	3840	1940	1900	900	310	226	84
500	1000	1000	840	440	900	500	310	226	51
500	2000	1000	1840	940	900	500	310	226	58
500	3000	1000	2840	1440	900	500	310	276	71
500	3000	2000	2840	1440	1900	900	310	276	84
500	4000	1000	3840	1940	900	500	310	276	79
500	4000	2000	3840	1940	1900	900	310	276	92

H-bar aluminium adjustable spreader beams



H-bar aluminium adjustable spreader beams

4 rotating and articulated hooks with forged safety latch. Eyelets antitearing for use with synthetic slings, cable

CAPACITY	LENGHT	LENGHT	A MAX	A MIN	B MAX	B MIN	OVERALL HEIGHT	C	WEIGHT
KG	(mm)	(mm)	(mm)	(mm)	(mm)	(mm)	(mm)	(mm)	KG
750	1000	1000	840	440	900	500	310	226	51
750	2000	1000	1840	940	900	500	310	276	62
750	3000	1000	2840	1440	900	500	310	276	71
750	3000	2000	2840	1440	1900	900	310	276	84
750	4000	1000	3840	1940	900	500	310	306	87
750	4000	2000	3840	1940	1900	900	310	306	100
1000	1000	1000	840	440	900	500	310	306	55
1000	2000	1000	1840	940	900	500	310	306	66
1000	3000	1000	2840	1440	900	500	310	306	77
1000	3000	2000	2840	1440	1900	900	310	306	90
1000	4000	1000	3840	1940	900	500	310	341	103
1000	4000	2000	3840	1940	1900	900	310	341	116
1600	1000	1000	840	440	900	500	310	306	55
1600	2000	1000	1840	940	900	500	310	306	66
1600	3000	1000	2840	1440	900	500	310	341	88
1600	3000	2000	2840	1440	1900	900	310	341	101
2000	1000	1000	840	440	900	500	310	306	64
2000	2000	1000	1840	940	900	500	310	341	82